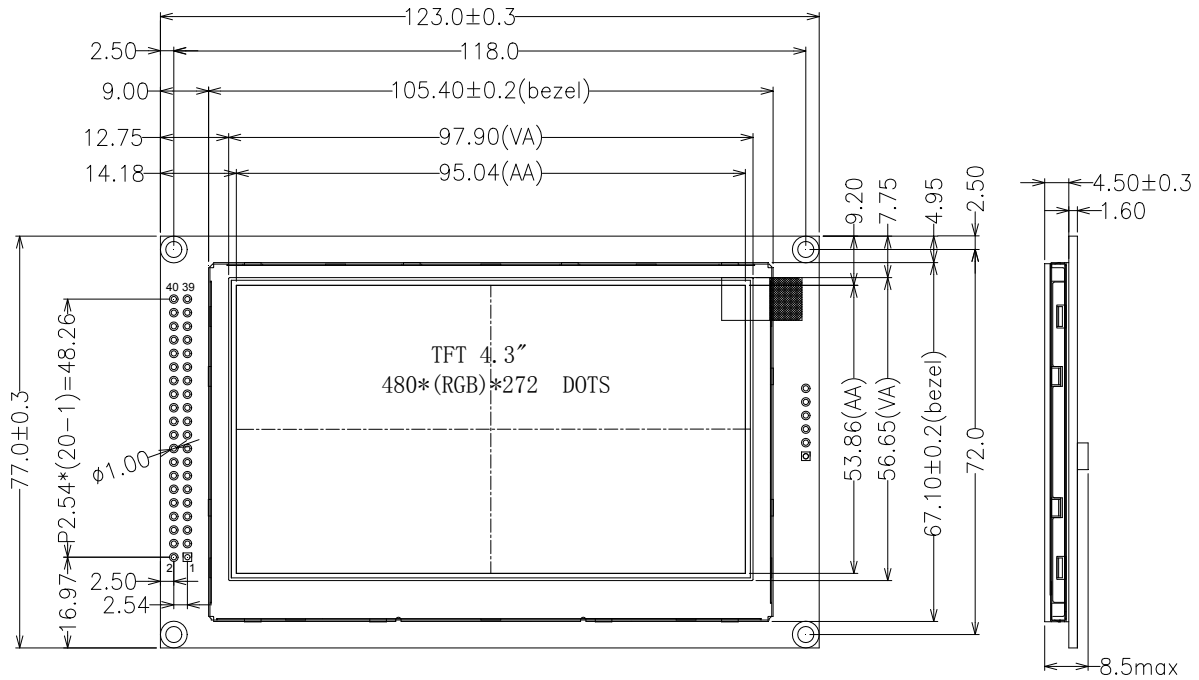


# HGF04335 with RTP



## Pin Connections

Pin	Symbol	I/O	Function	Note
1	V <sub>SS</sub>	0V	Power ground	5.0V power supply
2	V <sub>DD</sub>	5.0V	Power supply for logic	
3	/REST	H/L	Reset signal ,active "L"	3.3V I/O control
4	/CS	H/L	Chip select signal,active "L"	
5	/RD	H/L	Read signal	
6	/WR	H/L	Write signal	
7	RS	H/L	Data/Command select	
8~23	DB0-DB15	H/L	Data bus	
24	/WAIT	H/L	Wait signal	
25	/INT	H/L	Interrupt signal	Touch panel control terminals (3.3V I/O control)
26	BL_ON	-	No connection / LED backlight ON/OFF control terminal	
27	TCLK	H/L	Touch panel clock Input	
28	TCS	H/L	Chip select Input	
29	TDIN	H/L	Serial data Input	
30	TBUSY	H/L	Busy output	
31	TDOUT	H/L	Serial data output	
32	TINT	H/L	Pen interrupt	External Flash control terminals (3.3V I/O control)
33	V <sub>SS</sub>	0V	Power ground	
34	/SFCS	H/L	Chip select pin for external serial Flash/ROM	
35	SFCL	H/L	External Flash/ROM serial clock input	
36	SFDO	H/L	External Flash/ROM serial data output	
37	SFDI	H/L	External Flash/ROM serial data input	
38	V <sub>SS</sub>	0V	Power ground	
39~40	NC	-	No connection	

## Basic Specifications

Item	Specifications
Size	4.3 inch
Resolution	480×3(RGB)×272
Color depth	65K
Viewing direction	6 o'clock
Operation temperature	-20 °C ~70 °C
Storage temperature	-30 °C ~ 80 °C
Driver IC	RA8871
Interface type	8 /16 bits 8080 parallel MPU interface 8 /16 bits 6800 parallel MPU interface
Touch panel	With RTP

## DC Electrical Characteristics&Backlight Driving Conditions

Item	Symbol	Min.	Typ.	Max.	Unit
Power supply	V <sub>DD</sub>	4.5	5.0	5.5	V
Supply current	I <sub>DD</sub>	-	-	-	mA
Input signal voltage	V <sub>IH</sub>	0.7 V <sub>DD</sub>	-	V <sub>DD</sub>	V
	V <sub>IL</sub>	0	-	0.3 V <sub>DD</sub>	V
Output signal voltage	V <sub>OH</sub>	0.8 V <sub>DD</sub>	-	V <sub>DD</sub>	V
	V <sub>OL</sub>	0	-	0.2 V <sub>DD</sub>	V
Power supply for LED backlight	V <sub>F</sub>	12	13.2	14	V
Current for LED backlight	I <sub>F</sub>	-	40	50	mA
Operating life time for LED backlight	Ta=25°C and I <sub>F</sub> =40mA	-	20000	-	Hrs

## Optical Specifications

Item	Symbol	Condition	Min.	Typ.	Max.	Unit	
View angles	VERT	CR ≥ 10 (Note5)	θ <sub>T</sub>	60	70	-	Degree
			θ <sub>B</sub>	40	50	-	
	HOR		θ <sub>L</sub>	60	70	-	
			θ <sub>R</sub>	60	70	-	
Contrast ratio	CR	θ=0°	400	500	-	-	
Chromaticity	White	Backlight is on	X	0.25	0.30	0.35	
			Y	0.25	0.30	0.35	
Luminance	L	Ta=25°C and I <sub>F</sub> =40mA	-	160	-	cd/m <sup>2</sup>	

- Note: 1. Built-in RA8871 controller    2. Chinese fonts chip(GB2312) optional  
 3. 5.0V power supply    4. LED Backlight controlled by PWM  
 5. T:Top 12 o'clock; B:Bottom 6 o'clock; L:Left 9 o'clock; R:Right 3 o'clock