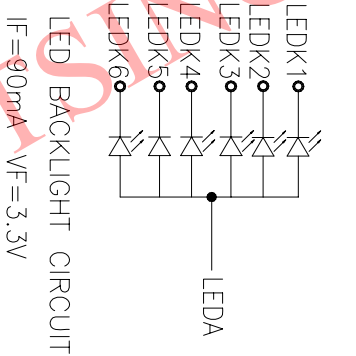
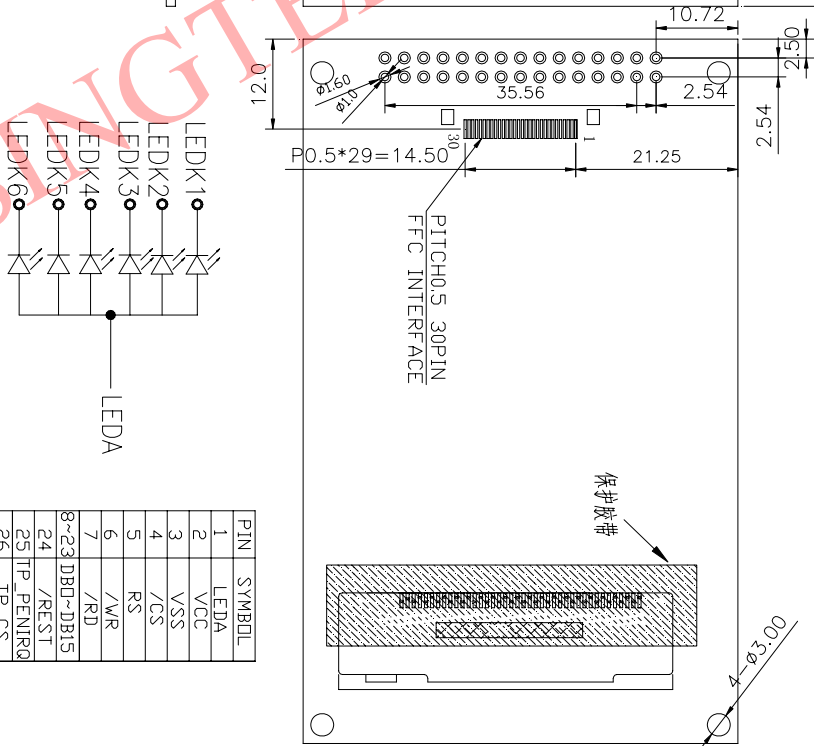
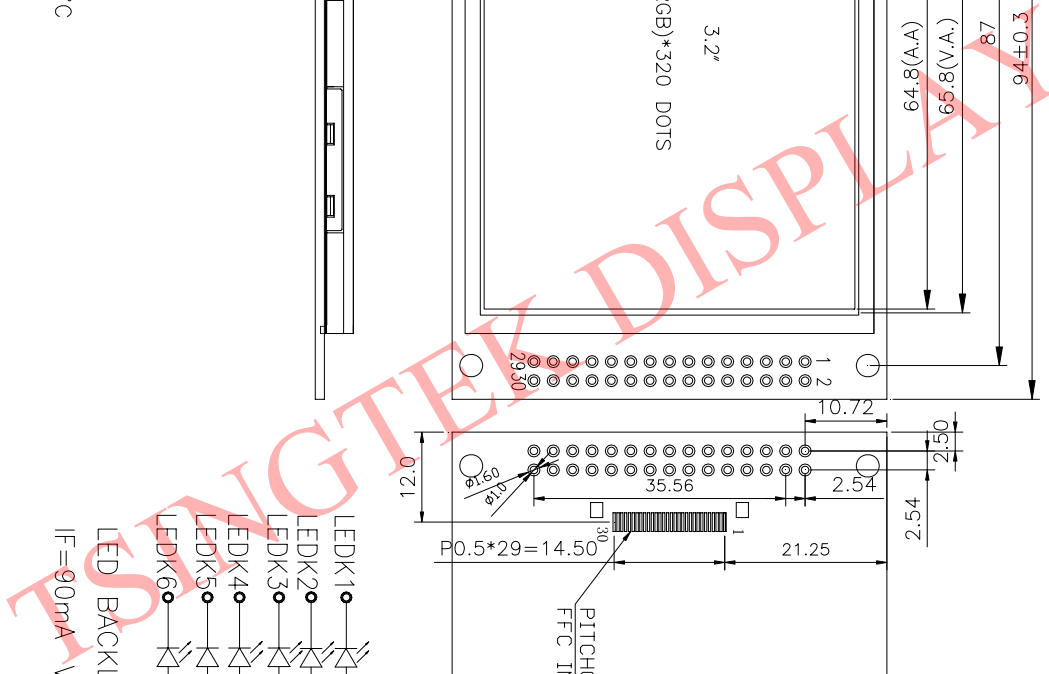
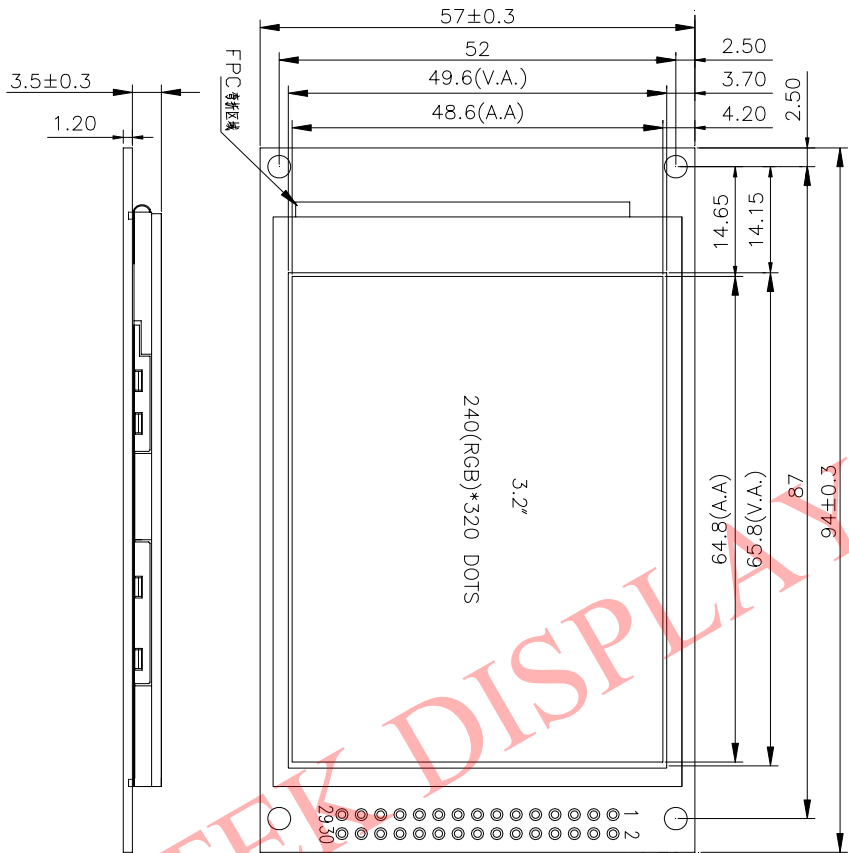


- 1、Display type: TFT/Normal white
- 2、Display mode: Transmissive
- 3、Controller: ST7789S/V
- 4、Backlight: White VF=3.3V IF=90mA
- 5、Operating temperature: -20°C ~ +70°C
- 6、Storage temperature: -30°C ~ +80°C
- 7、ROHS REQUEST



PIN	SYMBOL
1	LEDA
2	VCC
3	VSS
4	/CS
5	RS
6	/WR
7	/RD
8~23	DB0~DB15
24	/REST
25	TP_PENIRQ
26	TP_CS
27	TP_DIN
28	TP_DOUT
29	TP_DCLK
30	VSS

Unit:	mm
Tolerance: ±0.2	